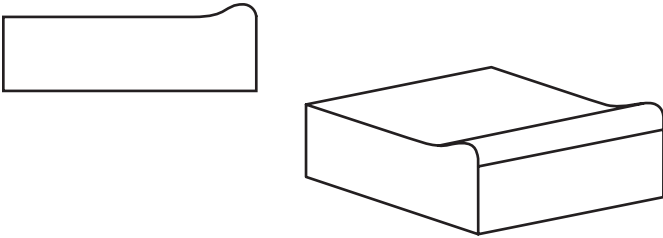
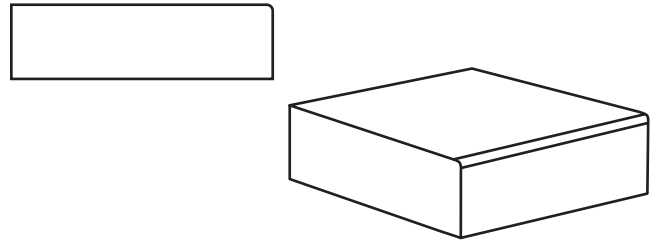


EDGE STYLES

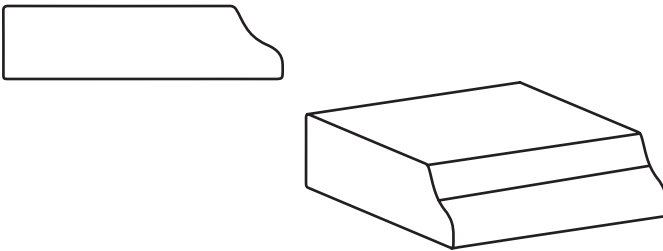
3/4" No Drip (Standard Top Edge ONLY)



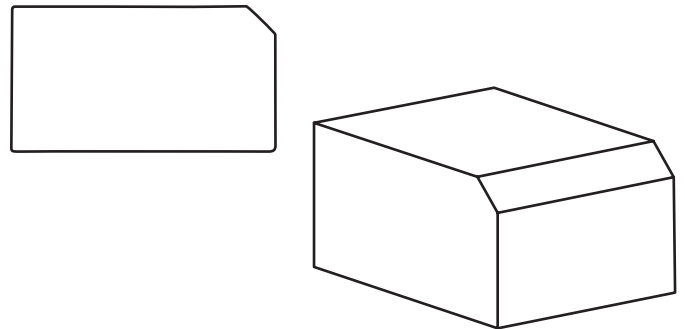
3/4" Flat (Custom Top Edge)



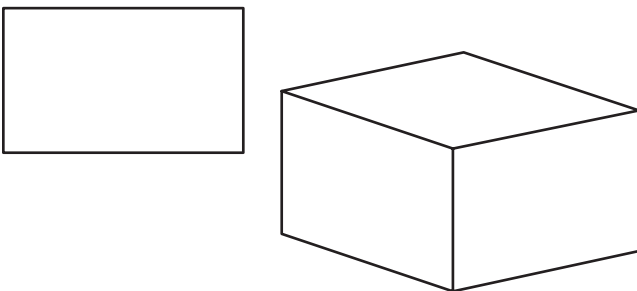
3/4" Single Ogee (20% Upcharge)



1 1/2" Bevel (20% Upcharge)

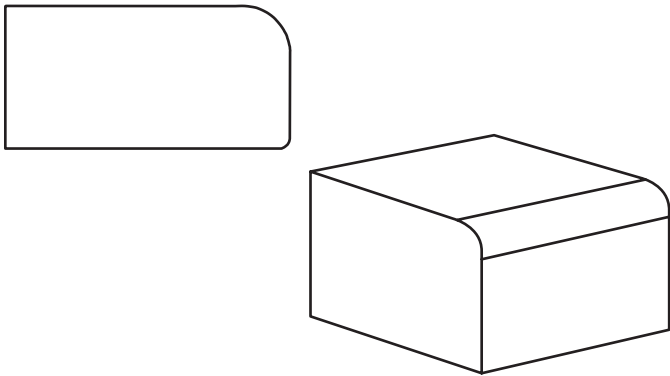


1 1/2" Square Built Up (20% Upcharge)

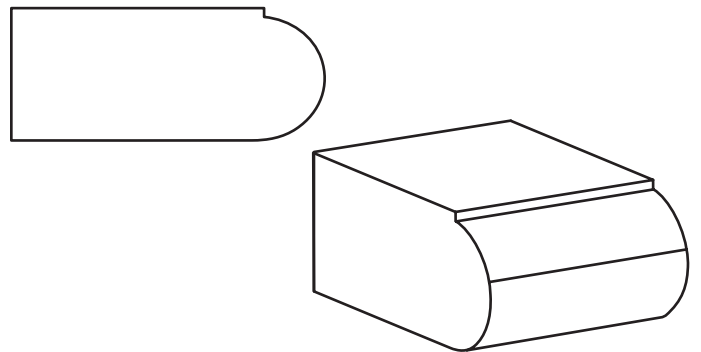


CUSTOM BUILT UP EDGE STYLES

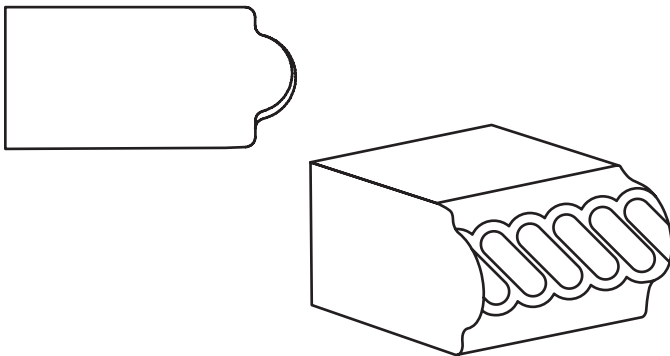
1 1/2" Roundover



1 1/2" Bullnose



1 1/2" Rope



1 1/2" Double Ogee

